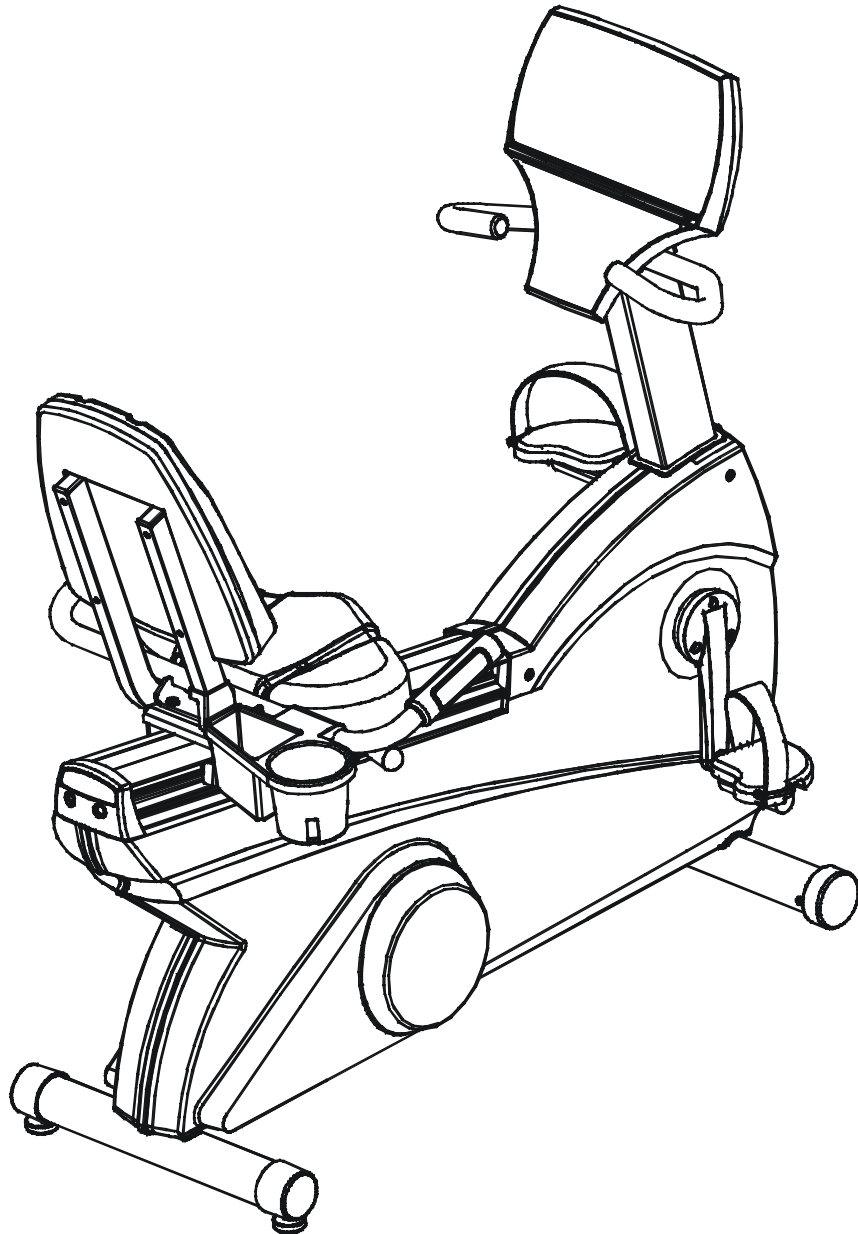


# *Life Fitness*

*Arctic Silver 95Ri Recumbent Bike*



**Customer Support Services**  
***PARTS MANUAL***

**ARCTIC SILVER 95Ri**  
**REFERENCES**

**95R-0XXX-02**  
**S/N CCS100000 and UP**

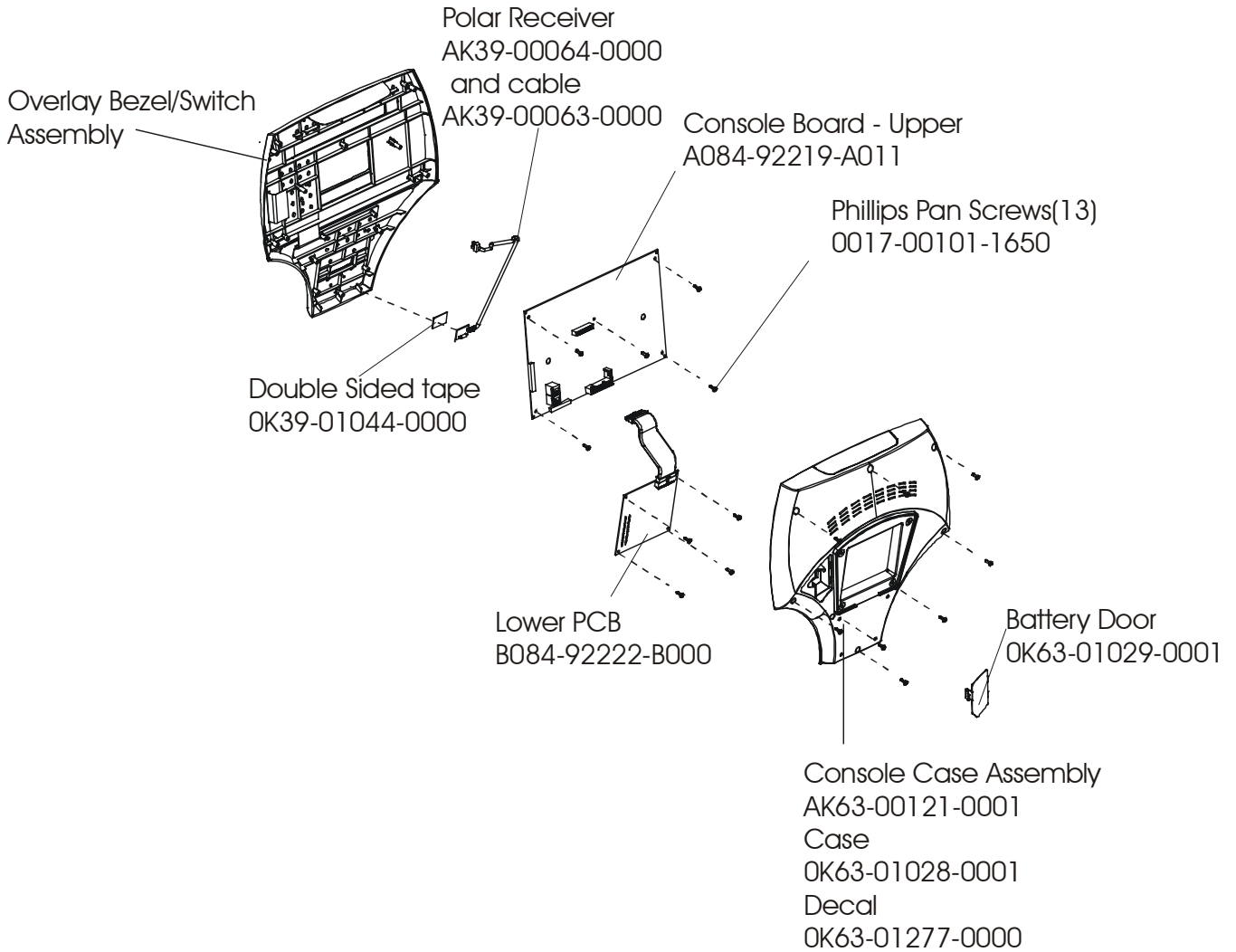
---

OPERATION MANUAL	M051-00K39-A016
POWER OPTION KIT 120V	GK39-00002-0002
POWER OPTION KIT 240/50V UK	GK39-00002-0004
POWER OPTION KIT 240V+AUS	GK39-00002-0005
POWER OPTION KIT 230/50V CON	GK39-00002-0006
HARDWARE BAG	GK39-00002-0008
TOUCH UP PAINT: SPRAY CAN .5 OZ BOTTLE W/APPLICATOR .33 OZ PEN	0017-00008-0204 0017-00008-0205 0017-00008-0206
SERVICE MANUAL	M051-00K39-A012

	Page
CONSOLE COMPONENTS .....	4
CONSOLE SUPPORT ASSEMBLY .....	5
SHROUDS, END CAP, CRANKARMS AND PEDALS .....	6
BELTS AND 6V BATTERY .....	7
RESISTOR ASSEMBLY .....	8
POWER CONTROL BOARD .....	9
ALTERNATOR W/PULLEY .....	10
CRANKSHAFT AND BEARING ASSEMBLY .....	11
INTERMEDIATE SHAFT AND BEARING ASSEMBLY .....	12
IDLER BRACKET ASSEMBLY .....	13
SEAT ASSEMBLY .....	14
SEAT BOTTOM ASSEMBLY .....	15
SEAT FRAME ASSEMBLY .....	16
SEAT PADS AND ACCESSORY TRAY .....	17
EXTRUSION ASSEMBLY .....	18
SEAT LOCKING ASSEMBLY .....	19
WHEEL AND LEVELER .....	20
CABLES .....	21

**ARCTIC SILVER 95Ri**  
**Console Components**

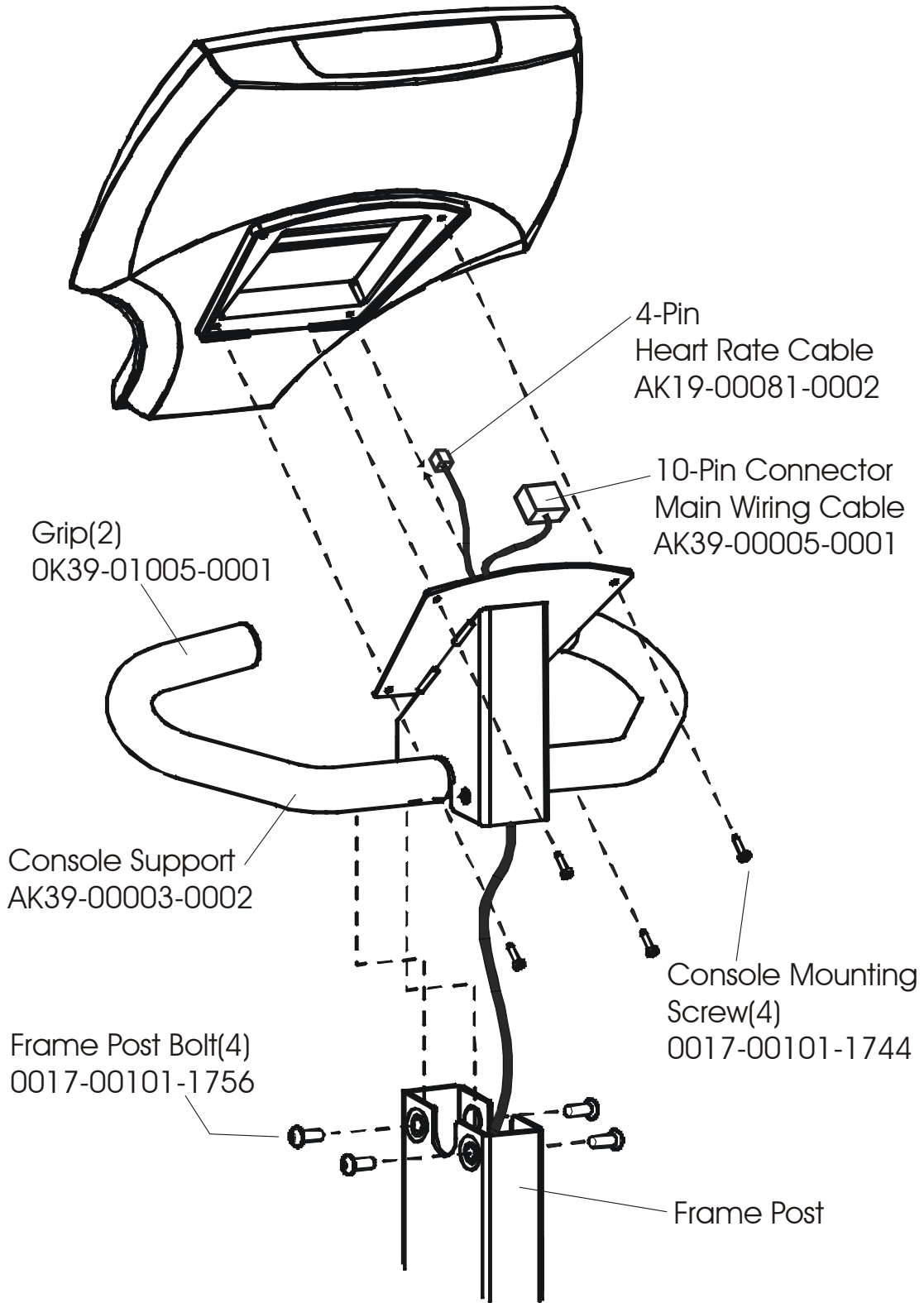
**95R-0XXX-02**  
**S/N CCS100000 and UP**



Console Assembly	Overlay/Bezel/Switch Assy.	UPper Overlay	Lower Overlay
AK39-00070-0001 Eng Met	AK63-00165-0001 Eng Met	OK63-01280-0001 Eng Met	OK63-01282-0001 Eng Met
AK39-00070-0003 Ger Met	AK63-00165-0003 Ger Met	OK63-01280-0003 Ger Met	OK63-01282-0003 Ger Met
AK39-00070-0004 Spn Met	AK63-00165-0004 Spn Met	OK63-01280-0004 Spn Met	OK63-01282-0004 Spn Met
AK39-00070-0006 Jap Met	AK63-00165-0006 Jap Met	OK63-01280-0006 Jap Met	OK63-01282-0006 Jap Met
AK39-00070-0007 Frn Met	AK63-00165-0007 Frn Met	OK63-01280-0007 Frn Met	OK63-01282-0007 Frn Met
AK39-00070-0008 Itl Met	AK63-00165-0008 Itl Met	OK63-01280-0008 Itl Met	OK63-01282-0008 Itl Met
AK39-00070-0009 Dut Met	AK63-00165-0009 Dut Met	OK63-01280-0009 Dut Met	OK63-01282-0009 Dut Met
AK39-00070-0010 Por Met	AK63-00165-0010 Por Met	OK63-01280-0010 Por Met	OK63-01282-0010 Por Met

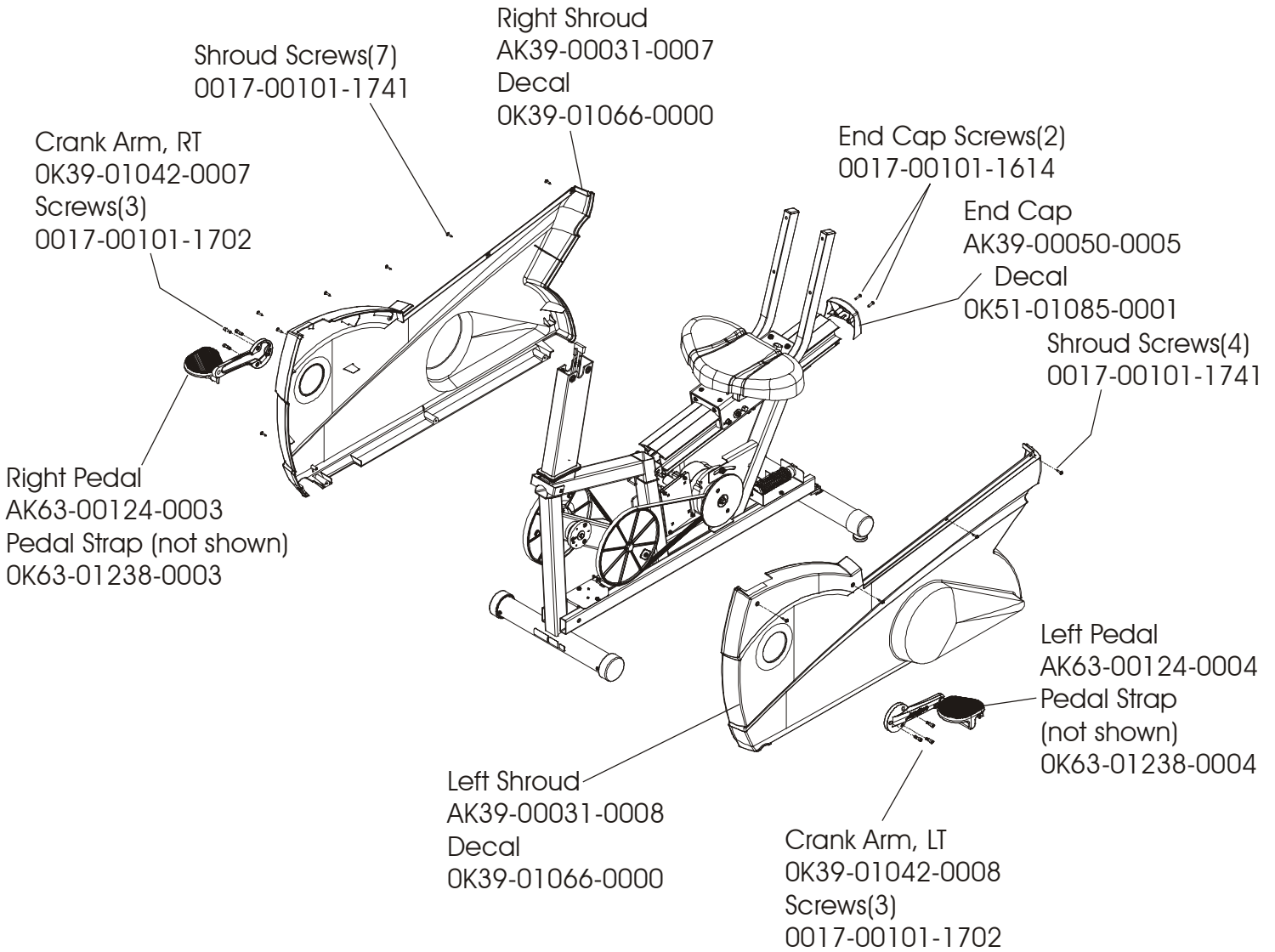
**ARCTIC SILVER 95Ri**  
**Console Support Assembly**

**95R-0XXX-02**  
**S/N CCS100000 and UP**



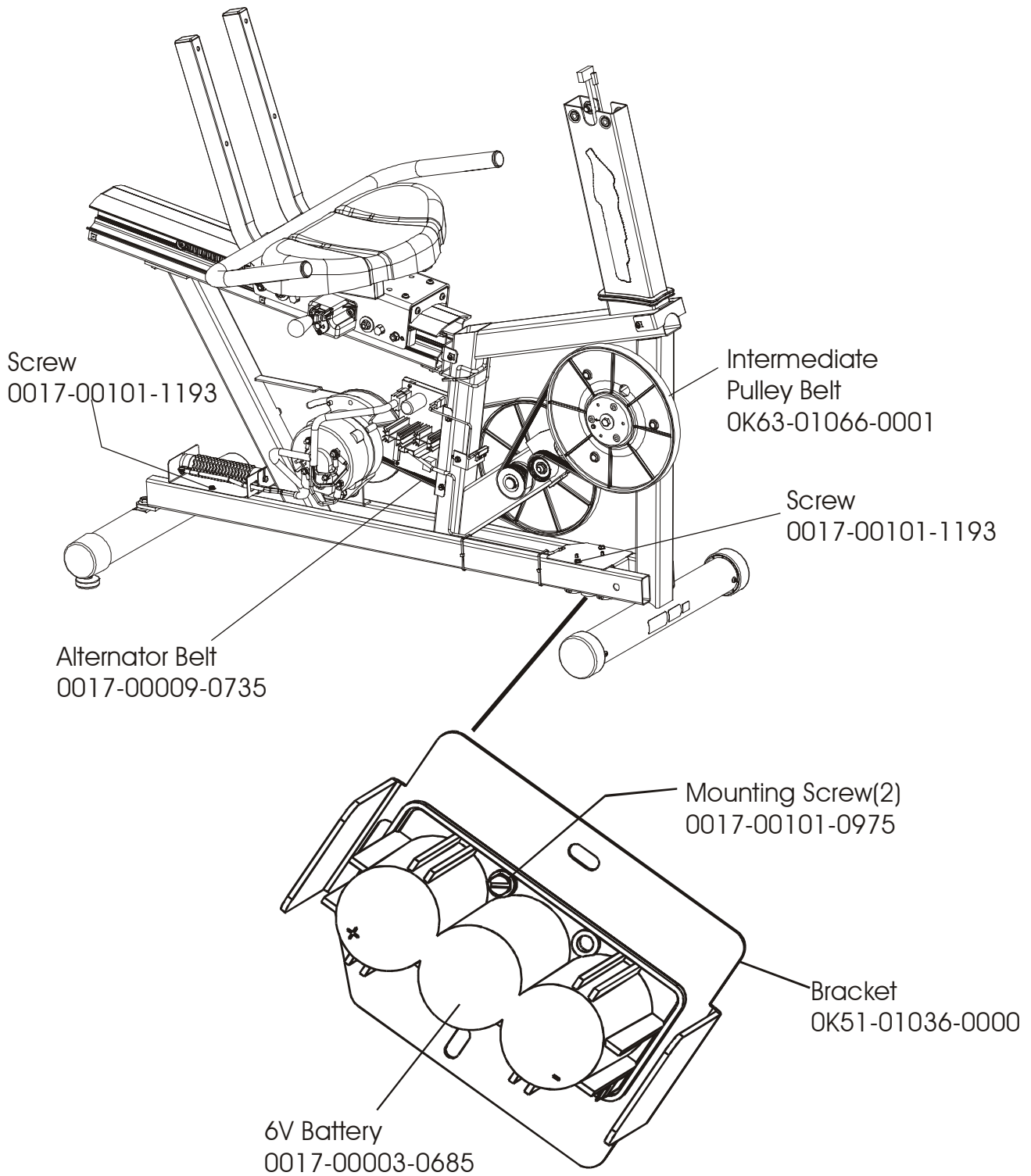
**ARCTIC SILVER 95Ri**  
**Shrouds, End cap and Pedals**

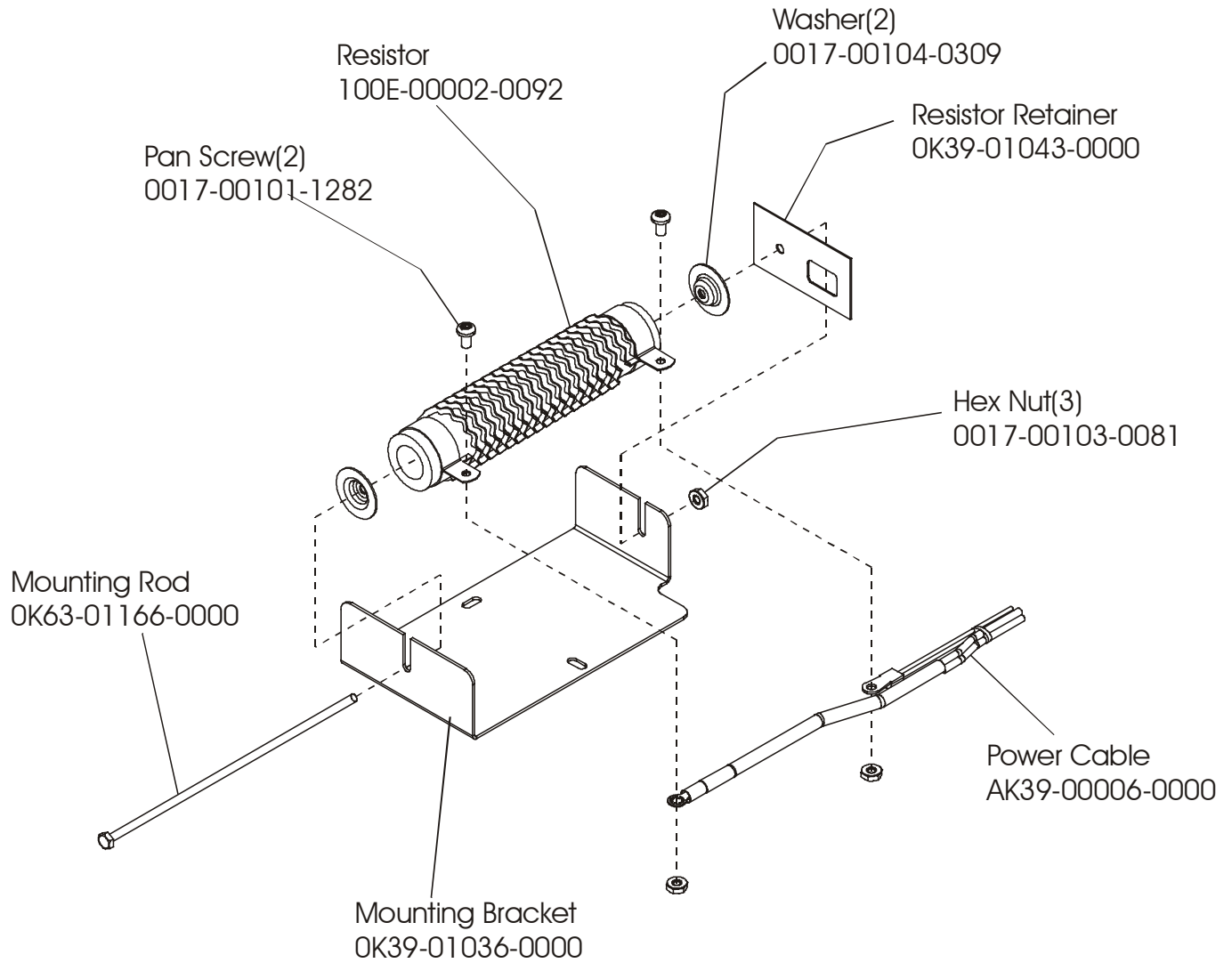
**95R-0XXX-02**  
**S/N CCS100000 and UP**



**ARCTIC SILVER 95Ri**  
**Belts and 6V Battery**

**95R-0XXX-02**  
**S/N CCS100000 and UP**



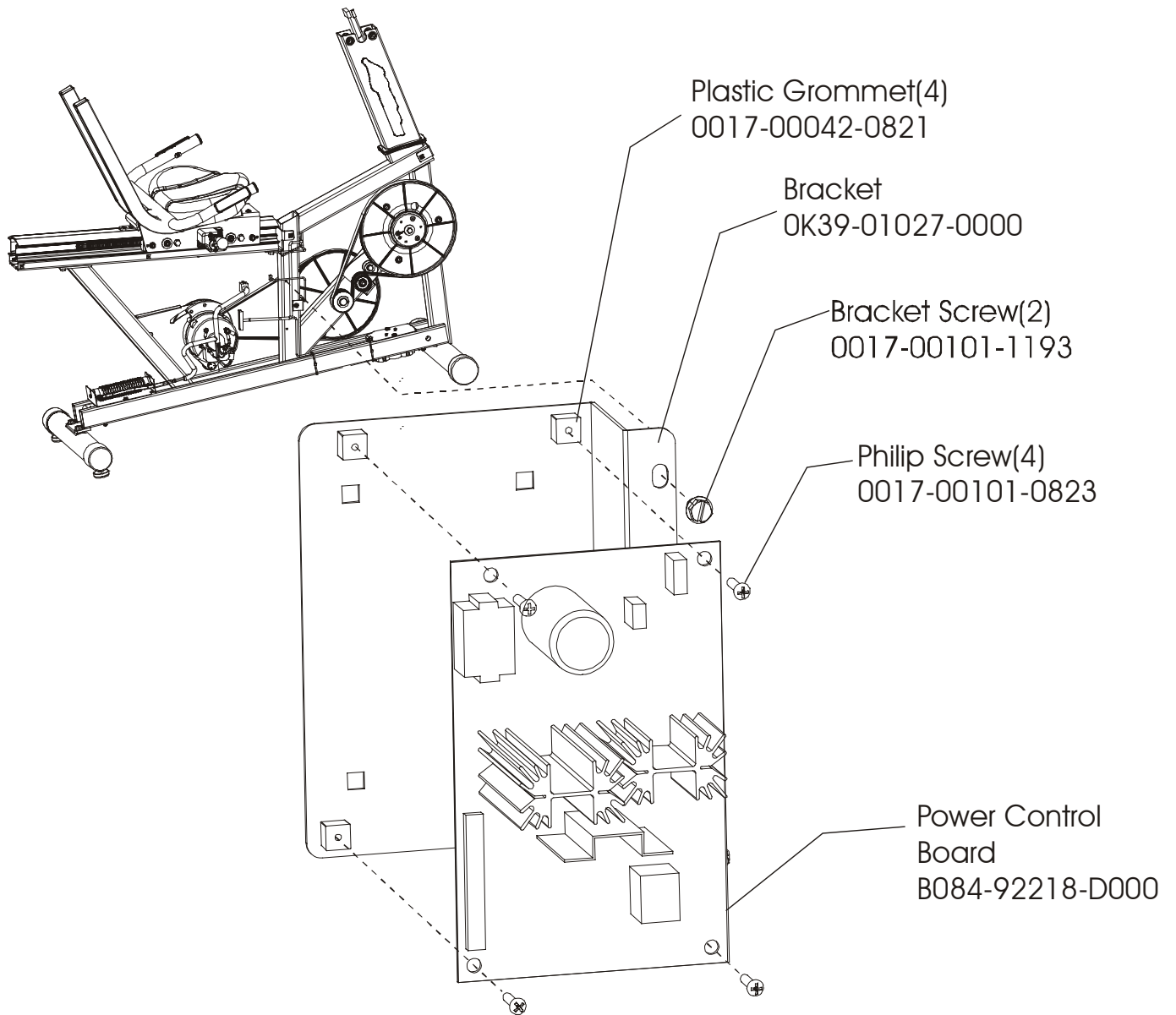




**ARCTIC SILVER 95Ri**  
**Power Control Board**

**95R-0XXX-02**  
**S/N CCS100000 and UP**

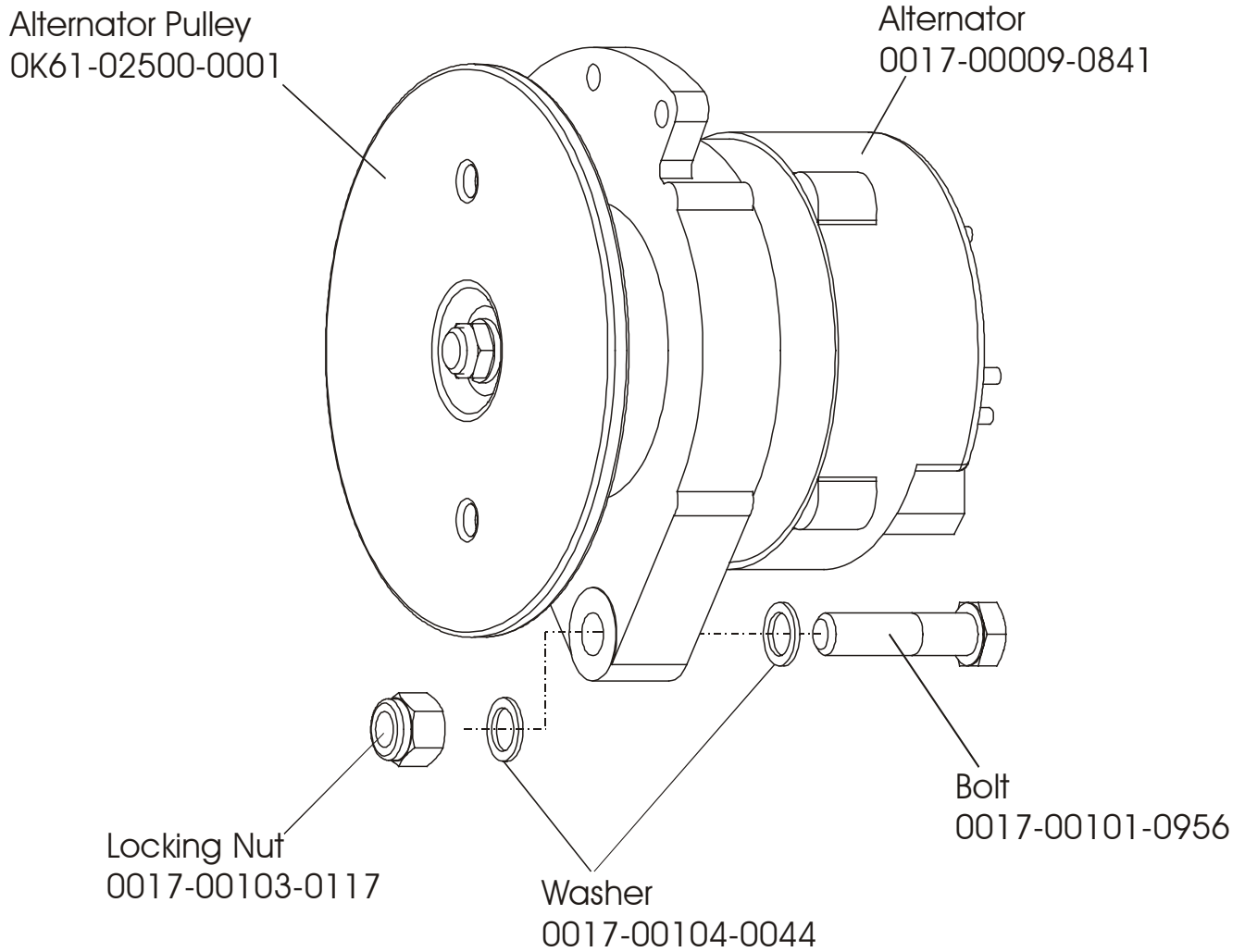
Assembly Number - AK39-00022-0001



**ARCTIC SILVER 95Ri**  
**Alternator w/Pulley Assembly**

**95R-0XXX-02**  
**S/N CCS100000 and UP**

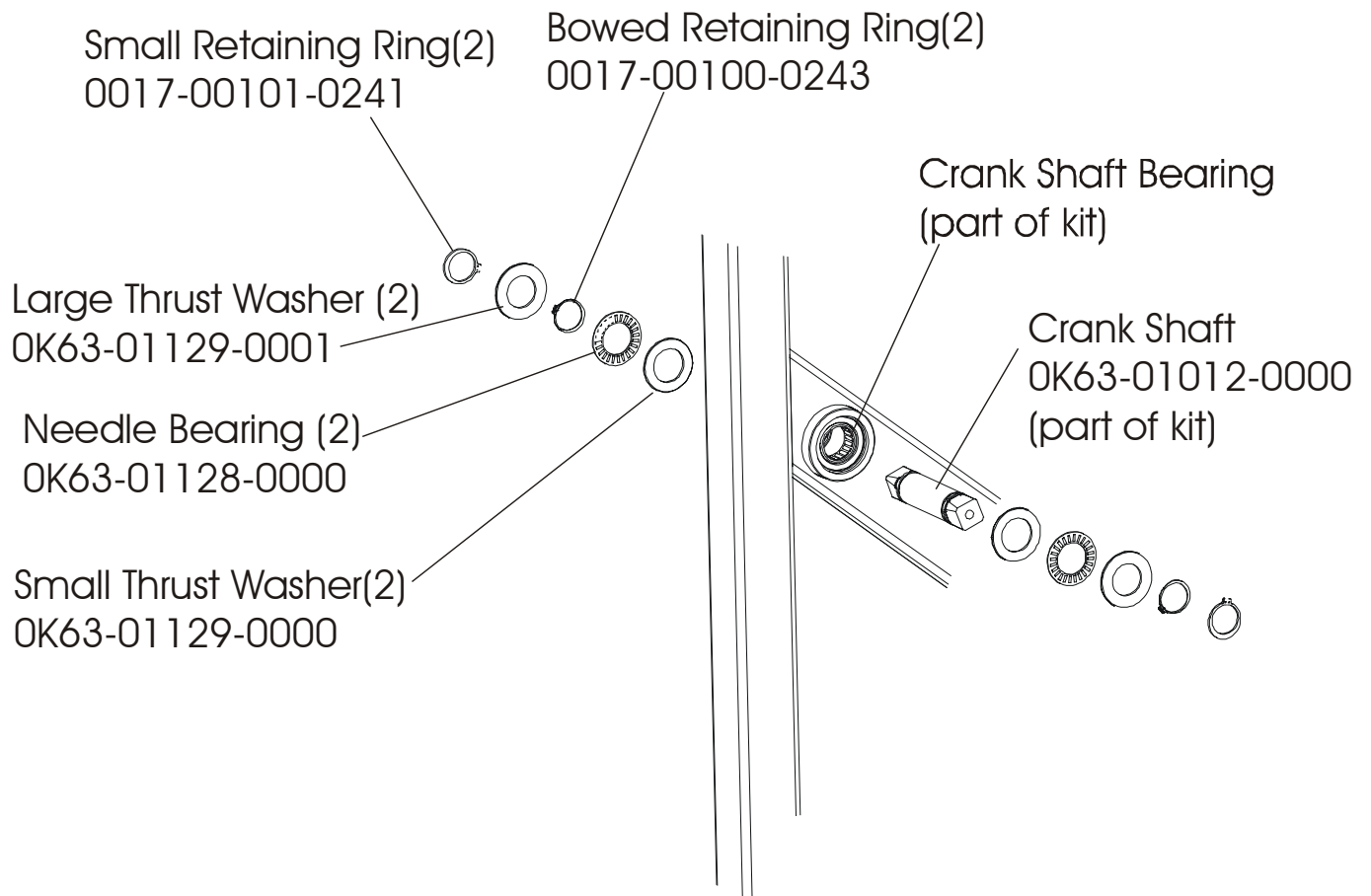
Assembly Number – AK63-00093-0000



**ARCTIC SILVER 95Ri**  
**Crank Shaft and Bearing Assembly**

**95R-0XXX-02**  
**S/N CCS100000 and UP**

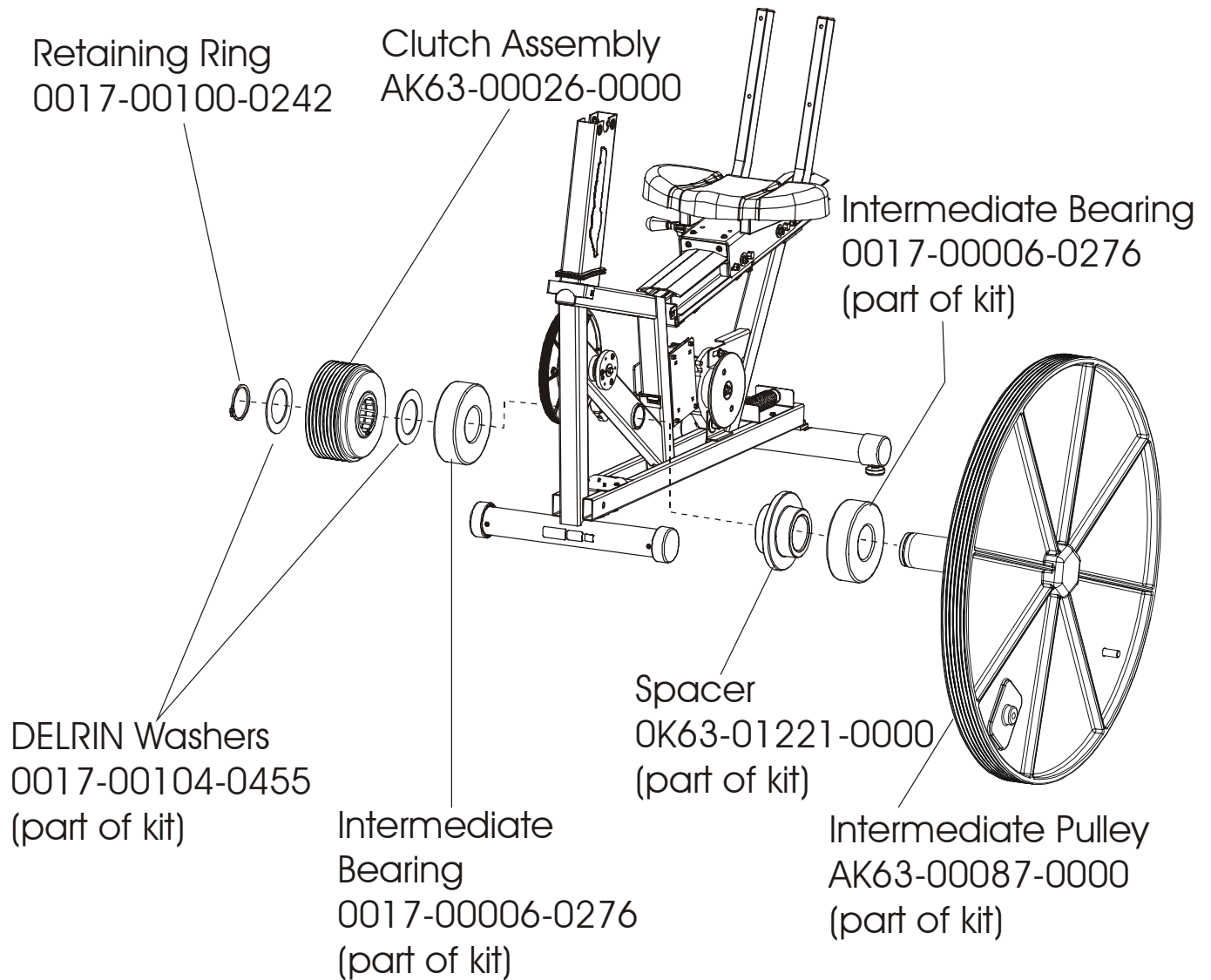
Kit Number – GK63-00002-0006



**ARCTIC SILVER 95Ri**  
**Intermediate Shaft and Bearing Assy.**

**95R-0XXX-02**  
**S/N CCS100000 and UP**

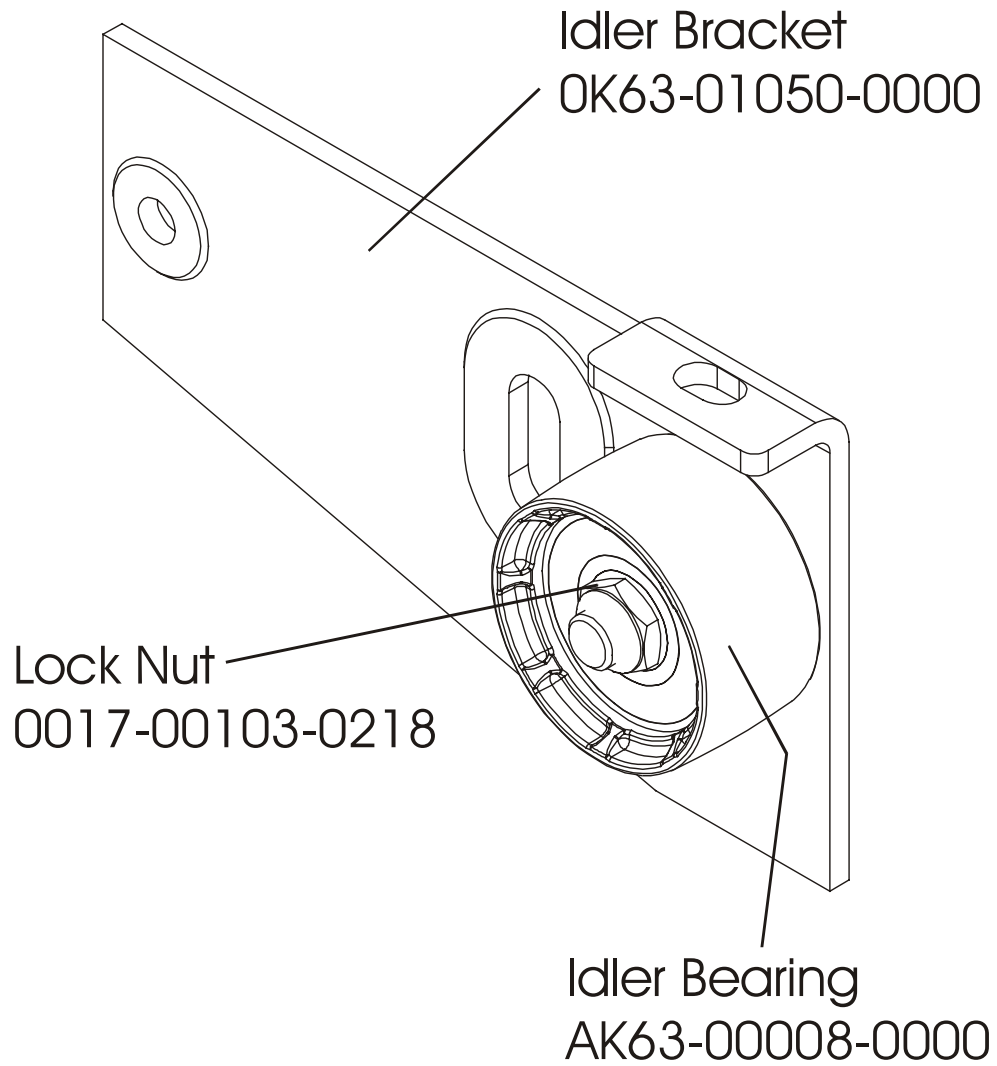
Kit Number – GK63-00002-0007



**ARCTIC SILVER 95Ri**  
**Idler Bracket Assembly**

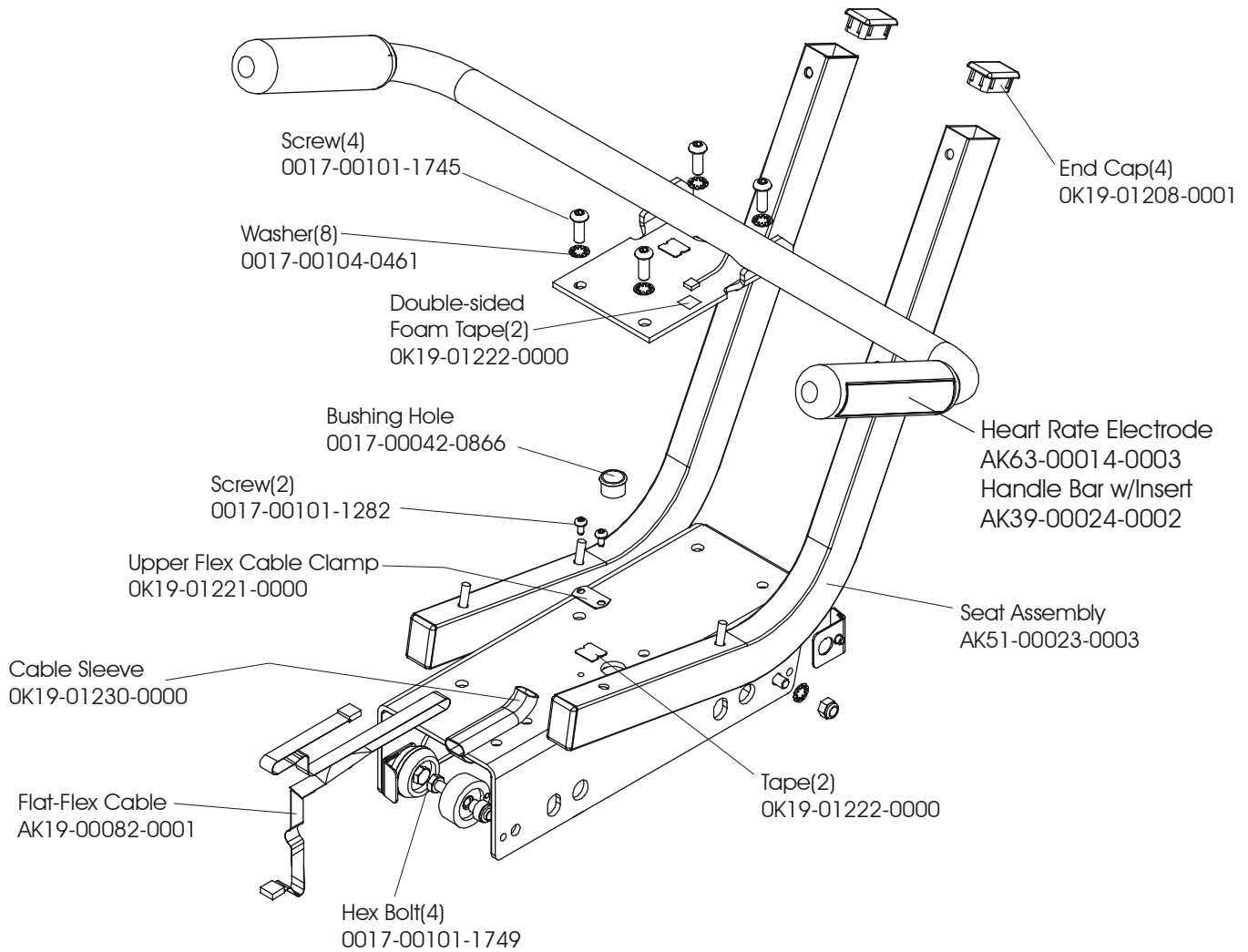
**95R-0XXX-02**  
**S/N CCS100000 and UP**

Idler Bracket Assembly – AK63-00021-0000



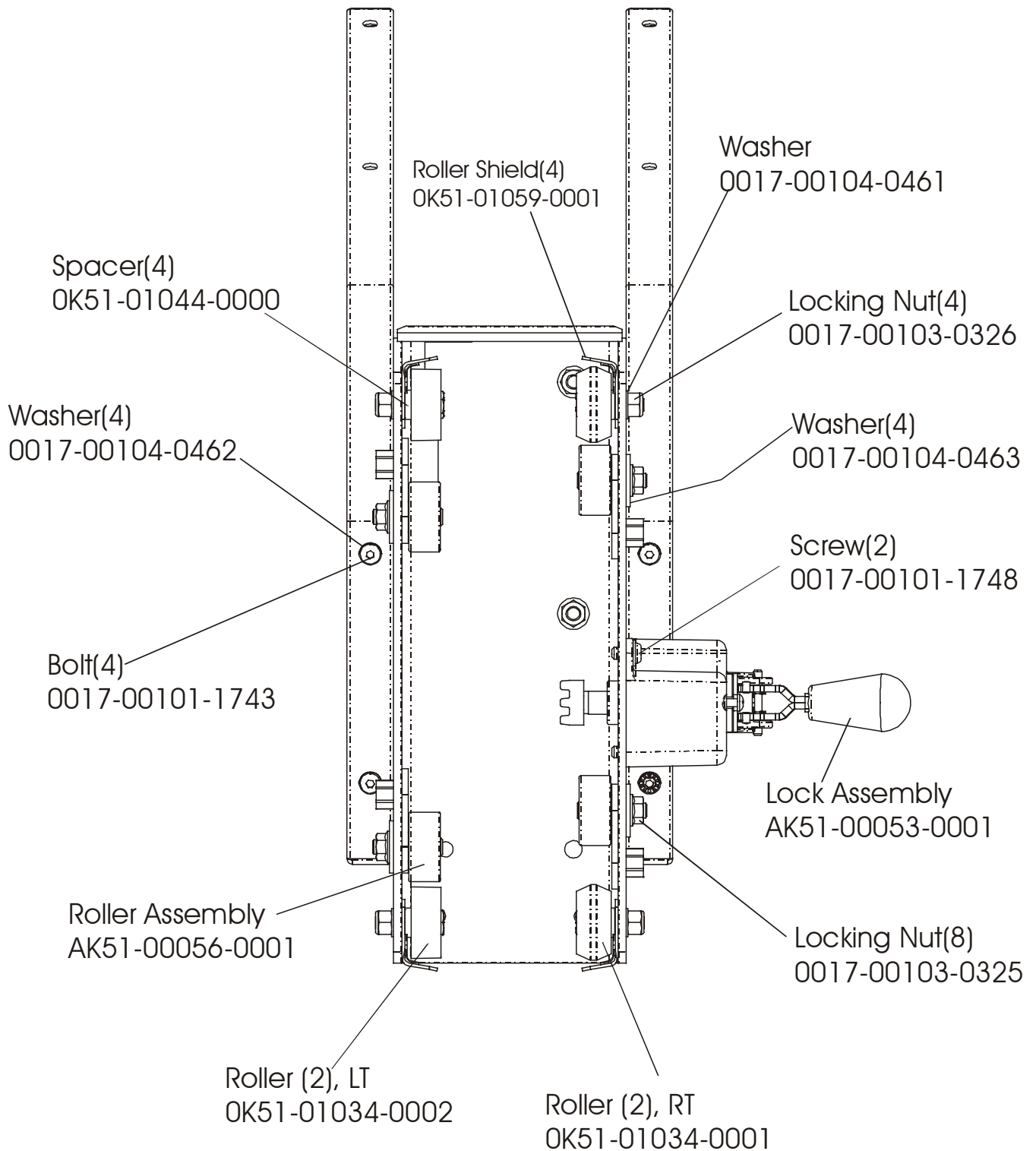
**ARCTIC SILVER 95Ri**  
**Seat Assembly**

**95R-0XXX-02**  
**S/N CCS10000 and UP**



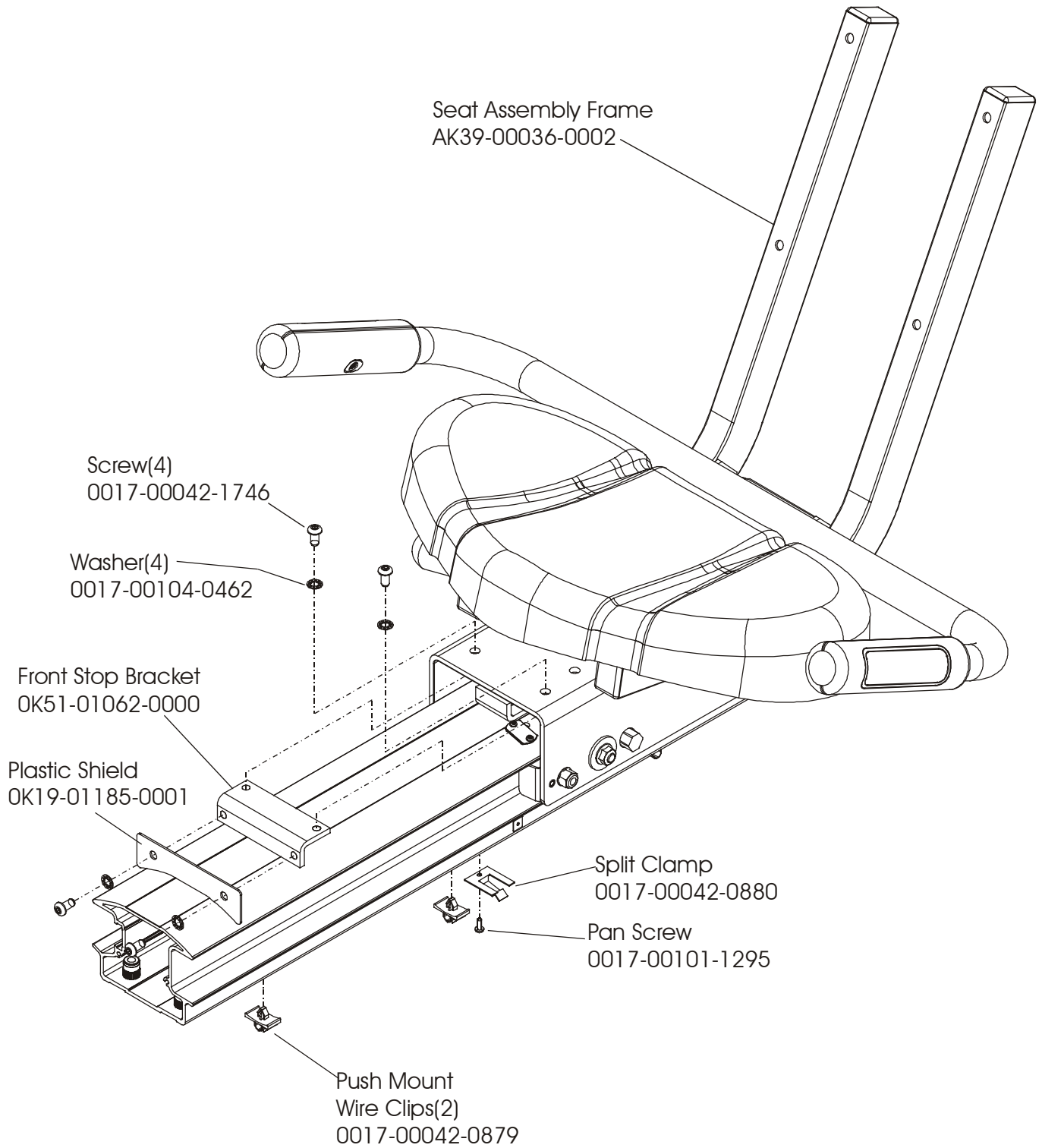
**ARCTIC SILVER 95Ri**  
**Seat Assembly - Bottom**

**95R-0XXX-02**  
**S/N CCS10000 and UP**



**ARCTIC SILVER 95Ri**  
**Seat Frame Assembly**

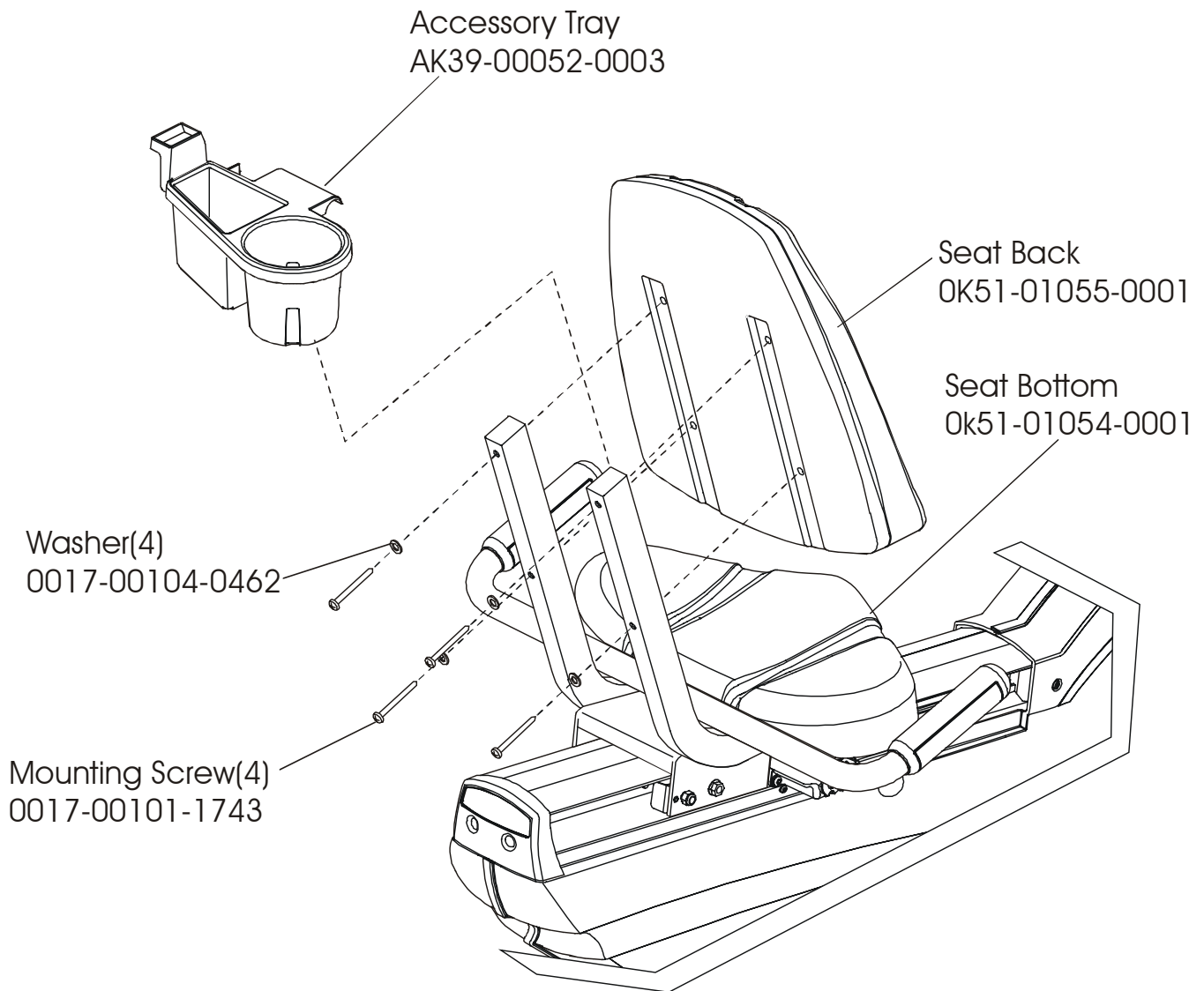
**95R-0XXX-02**  
**S/N CCS100000 and UP**





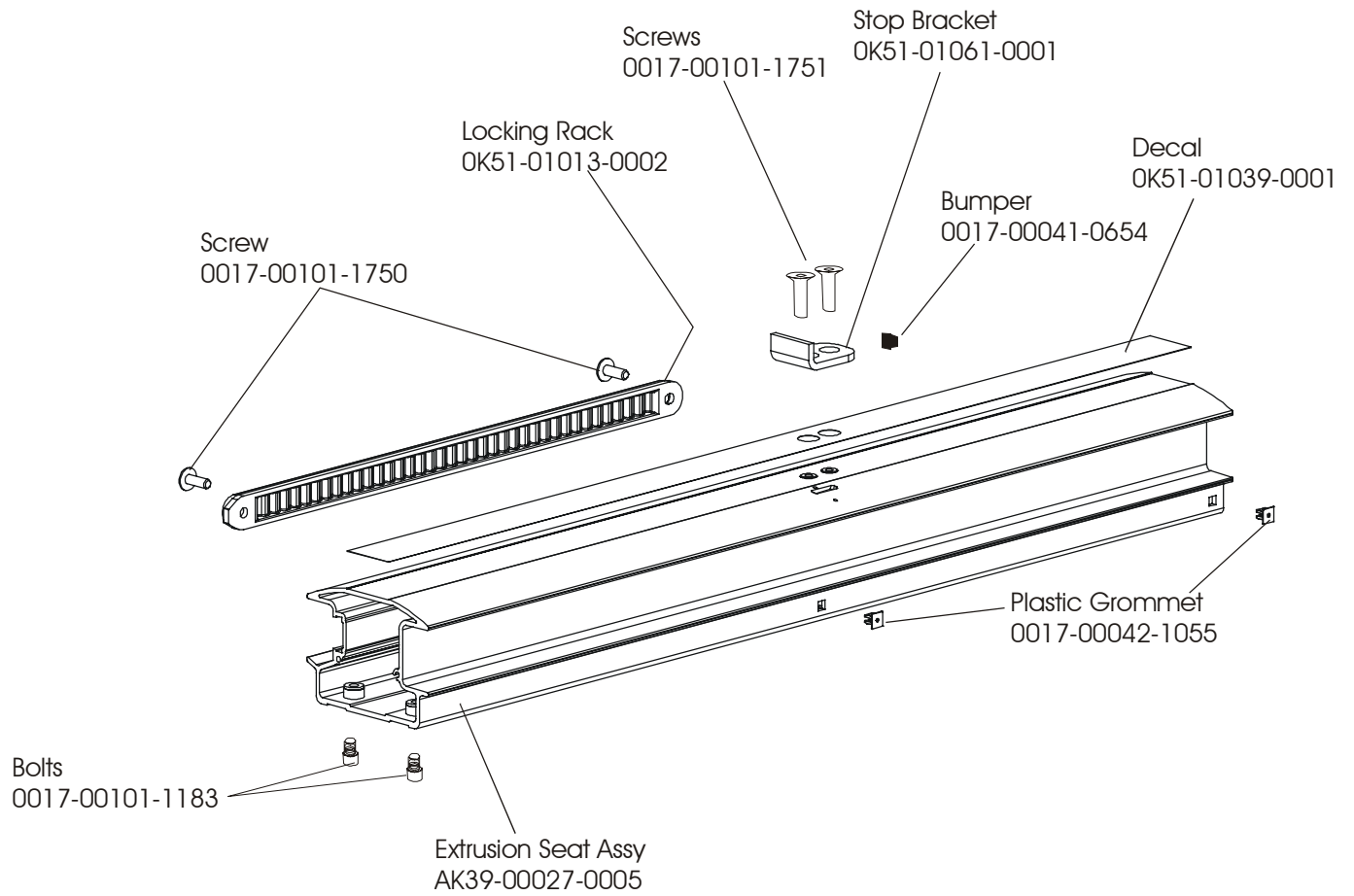
**ARCTIC SILVER 95Ri**  
**Seat Pads and Accessory Tray**

**95R-0XXX-02**  
**S/N CCS10000 and UP**



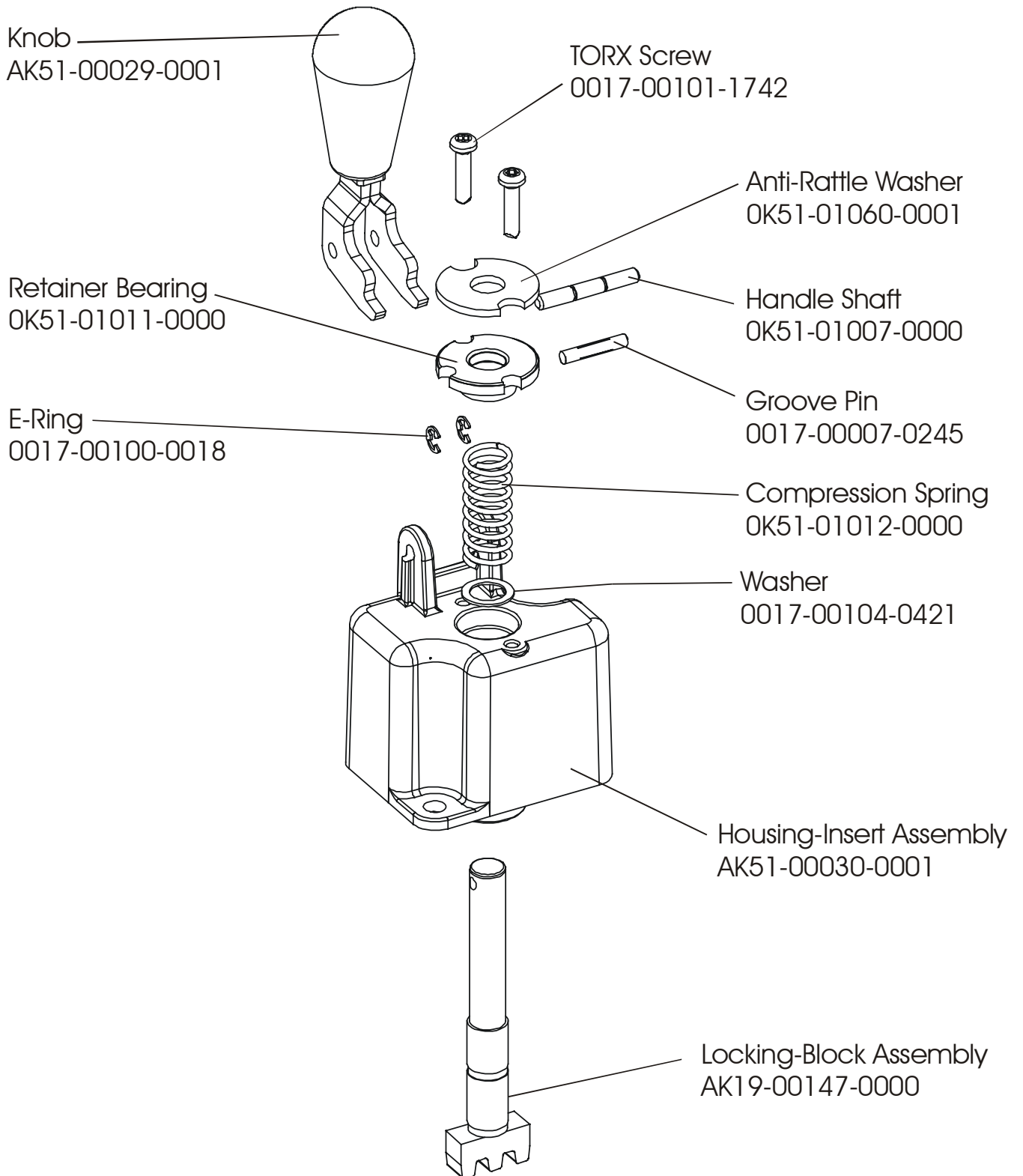
**ARCTIC SILVER 95Ri**  
**Extrusion Assy. – AK39-00027-0005**

**95R-0XXX-02**  
**S/N CCS100000 and UP**



**ARCTIC SILVER 95Ri**  
**Locking Assy. – AK51-00053-0001**

**95R-0XXX-02**  
**S/N CCS100000 and UP**



**ARCTIC SILVER 95Ri**  
**Wheel and Leveler**

**95R-0XXX-02**  
**S/N CCS100000 and UP**

